

NOVALUX



320 lumens; over 170 lux @ 1 metre



Low profile surface mount and recessed options



Multi-voltage (10-32V)



Integrated switch (surface mount)



Waterproof to IP66 (recessed option)



E-type approved



(recessed)



(surface mount)

TECHNICAL SPECS OVERLEAF 
APRIL 2016



DESIGNED FOR MULTI-SECTOR APPLICATIONS



NOVALUX

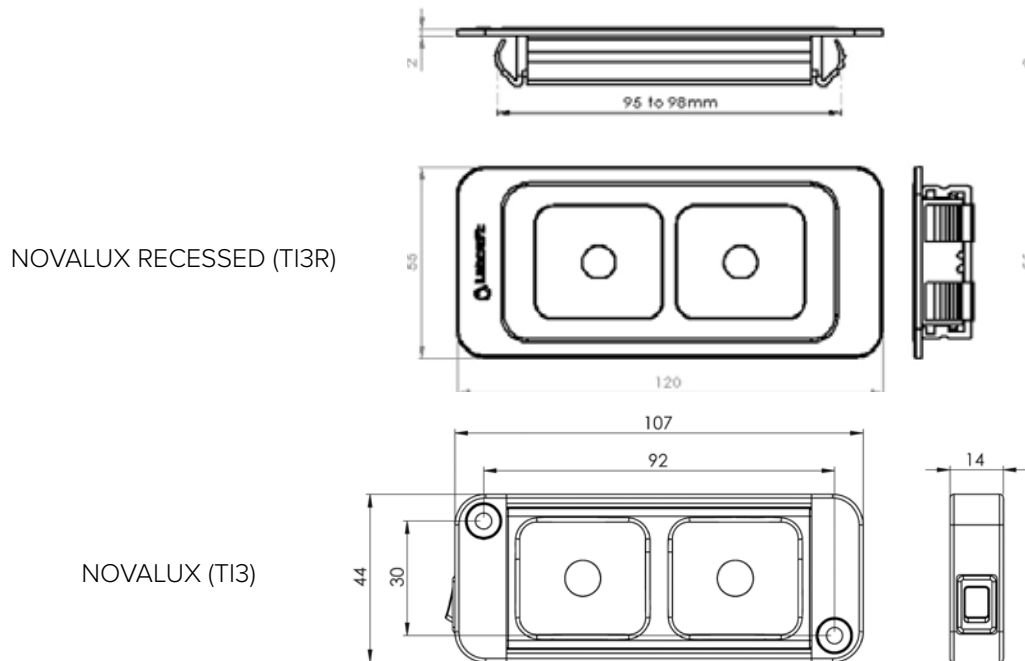
Long life, high intensity Cree LEDs – The Novalux will give you 320 lumens of clean white light and creates a safe working environment, providing over 170 lux at 1 metre.

Low profile design - At just 14mm deep for the surface mount version and only 2mm for the recessed unit, these lights can be fitted in a multitude of applications.

Multi-voltage (10-32V) - Engineered to suit a broad range of vehicles and voltages; the circuit can withstand changes in voltage and will provide consistent light output.

Integrated on/off switch - The surface mount Novalux incorporates an on/off switch which fits neatly into the end cap, making switching installation much quicker and easier, saving time and money.

Waterproof to IP66 (recessed version only) - The recessed Novalux is suitable for installation in a variety of environments including refrigerated vehicles.



NOVALUX RECESSED (TI3R)

NOVALUX (TI3)

SPECIFICATION		ALL DIMENSIONS HAVE A TOLERANCE OF +/-1mm			
		TI3_2-1MVS (12V)	TI3R_2-1MV (12V)	TI3_2-1MVS (24V)	TI3R_2-1MV (24V)
Voltage Range	VDC	10-32V	10-32	10-32V	10-32V
Average Current	A	0.22	0.22	0.12	0.12
Light Output	lm	320	320	320	320
Watts	W	2.7W	2.7W	2.7W	2.7W
Weight	kg	0.062	0.062	0.062	0.062
Temp. Range	°C	-30 to +40	-30 to +40	-30 to +40	-30 to +40
IP Rating	IP	IP60	IP66	IP60	IP66

E & OE

