

MEGALUX (PD)

- 640 & 1130 lumens; over 350 & 600 lux @ 1 metre
- Multi-voltage (10-32V)
- Waterproof to IP66
- Low profile surface mount and recessed options



(surface mount)

Internal View



Surface



Recessed



10 YEAR WARRANTY



BRIGHTNESS FOR 2015



E-TYPE APPROVED



MADE IN THE UK

See technical specs overleaf >>>

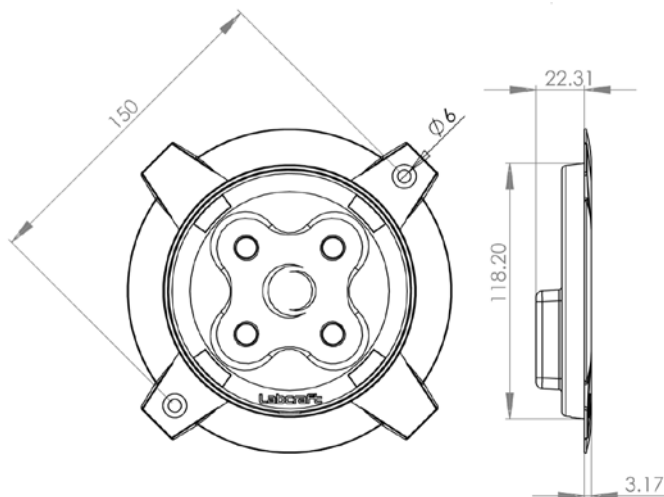
Labcraft Ltd:

Thunderley Barns, Thaxted Road,
Wimbish, Essex, CB10 2UT
T: +44 (0)1799 513434
F: +44 (0)1799 513437
E: sales@labcraft.co.uk
w: www.labcraft.co.uk

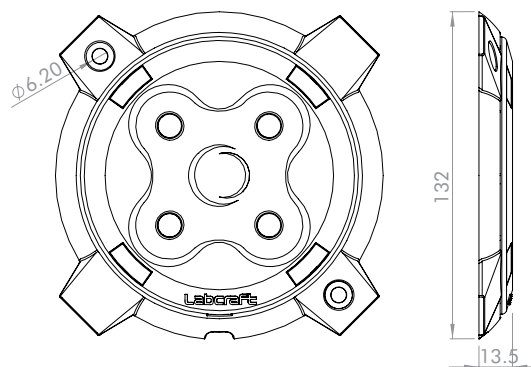


- Choice of 640 & 1130 lumens** - High output Cree LED technology produces a clean white light and creates a safe working environment, providing over 350 lux (4-1) and over 670 lux (4-3).
- Multi-voltage (10-32V)** - Engineered to suit a broad range of vehicles and voltages; the circuit can withstand changes in voltage and will provide consistent light output.
- Waterproof to IP66** - The Megalux is suitable for installation in a variety of environments, including refrigerated vehicles.
- Low profile designs** - At just 14mm deep for the surface mount version and only 3mm for the recessed unit, these lights can be fitted in a multitude of applications.

MEGALUX RECESSED (PD2)



MEGALUX (PD1)



Specification

ALL DIMENSIONS HAVE A TOLERANCE OF +/-1mm

		PD_4-1MV	PD_4-3MV
Voltage Range	VDC	10-32	10-32
Average Current	A	12V = 0.48 24V = 0.26	12V = 0.9 24V = 0.54
Light Output	lm	640	1130
LED Power	W	5W	10W
Weight	kg	0.15	0.15
Temp. Range	°C	-30 to +40	-30 to +40
IP Rating	IP	IP66	IP66

E & OE