

# LED SCENELITE S17



Over 1400 lumens; > 620 lux @ 1 metre



Unique curved light projections covering over 30m<sup>2</sup>



Solid aluminium casting



Multi-voltage (10-32V)



Waterproof to IP67



E-type approved



TECHNICAL SPECS OVERLEAF   
APRIL 2016



DESIGNED FOR MULTI-SECTOR APPLICATIONS



# LED SCENELITE SI7

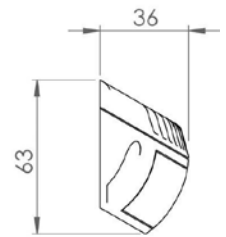
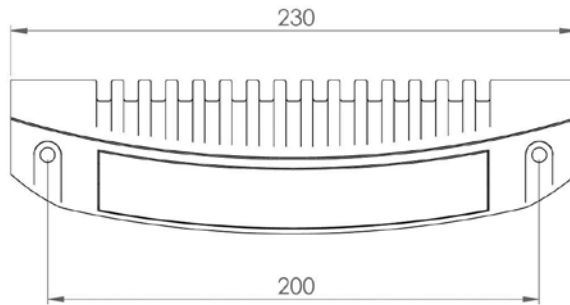
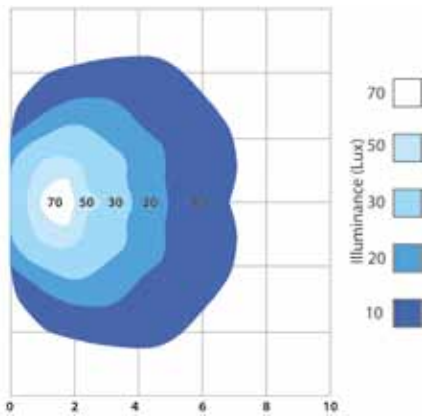
**Over 1400 lumens output** - Using the very best high output Cree LED technology, the SI7 Scenelite produces 1420 lumens and over 620 lux @ 1 metre.

**Unique curved PCB** - By pre-bending the aluminium PCB, the LEDs provide improved light distribution for a safer working environment.

**Solid aluminium casting** - This gives a robust product and ensures the LEDs run as cool as possible for longer life.

**Waterproof to IP67** - The tough outer enclosure and potting over more sensitive components provides protection against severe weather conditions and pressure washing.

Available in BLACK (SI7\_5-3MV), WHITE (SI7\_5-3MVWH), RED RAL3000 (SI7\_5-3MVRED) & YELLOW RAL1016 (SI7\_53MVY - JUNE 2016).



SI7\_5-3MVWH



SI7\_5-3MVRED



SI7\_5-3MVY



## SPECIFICATION

ALL DIMENSIONS HAVE A TOLERANCE OF +/-1mm

|                 |     | SI7_5-3MV<br>(12V) | SI7_5-3MV<br>(24V) |
|-----------------|-----|--------------------|--------------------|
| Voltage Range   | VDC | 10-32              | 10-32              |
| Average Current | A   | 1.25               | 0.6                |
| Light Output    | lm  | 1420               | 1420               |
| Watts           | W   | 12.5W              | 12.5W              |
| Weight          | kg  | 0.3                | 0.3                |
| Temp. Range     | °C  | -30 to +40         | -30 to +40         |
| IP Rating       | IP  | IP67               | IP67               |

E & OE

